

APPROVED FOR ISSUE

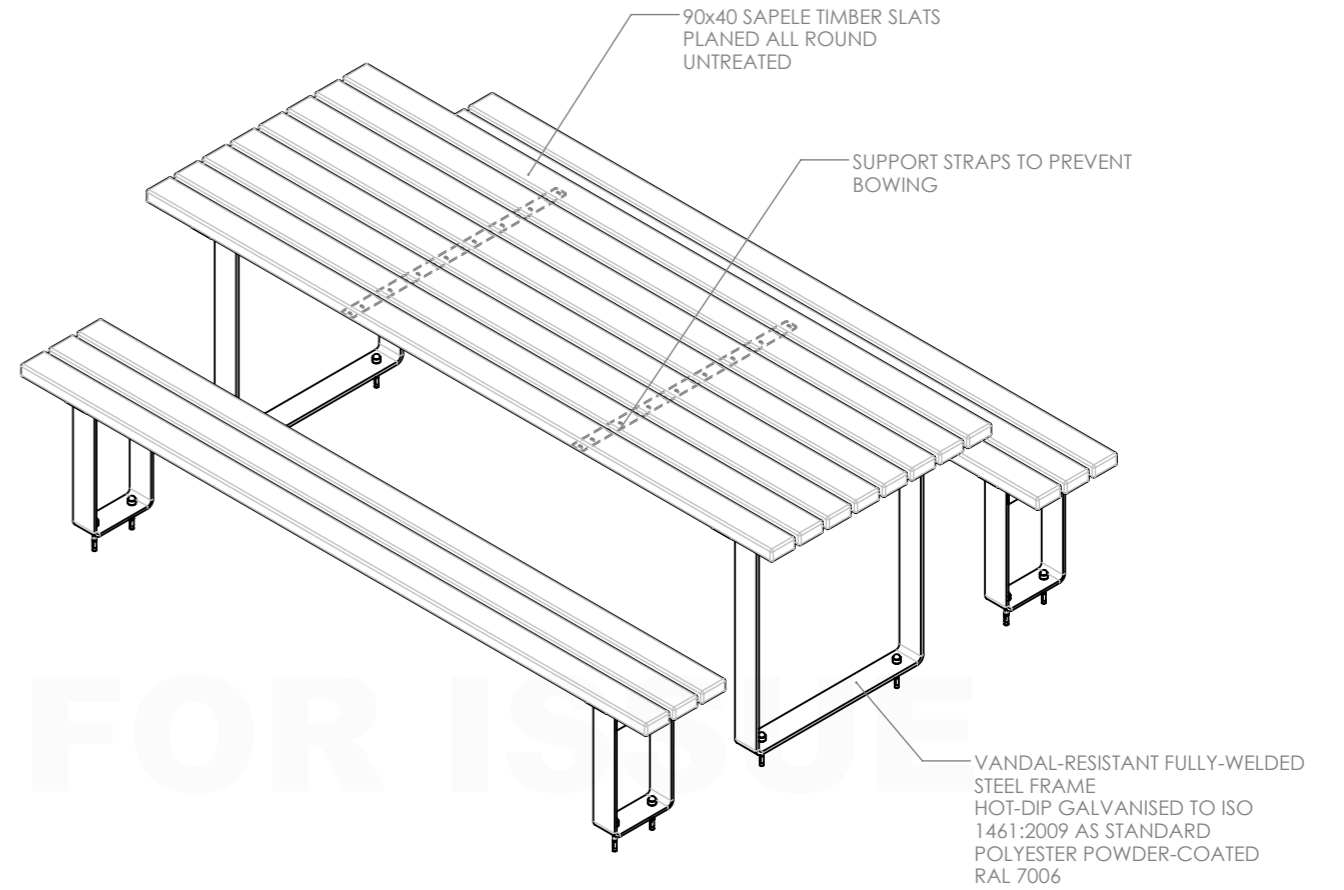
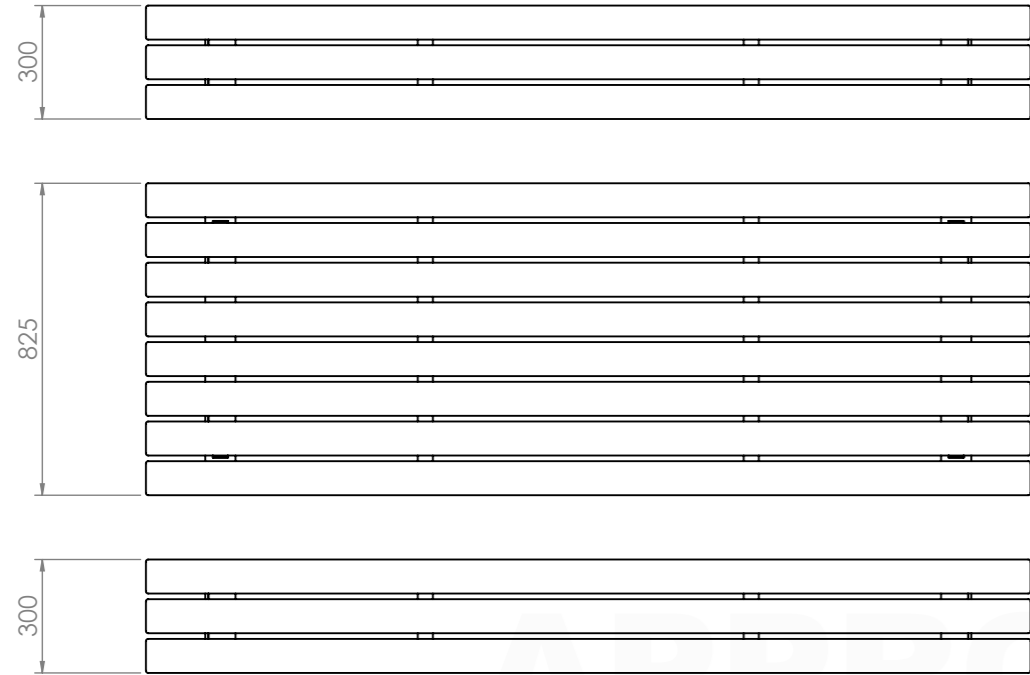
PRODUCT OVERVIEW: BRUNSWICK PICNIC SET_5349



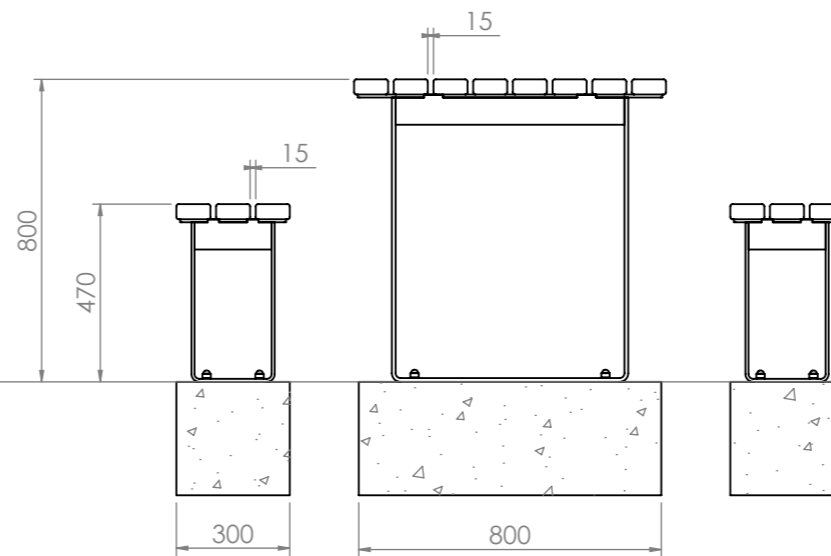
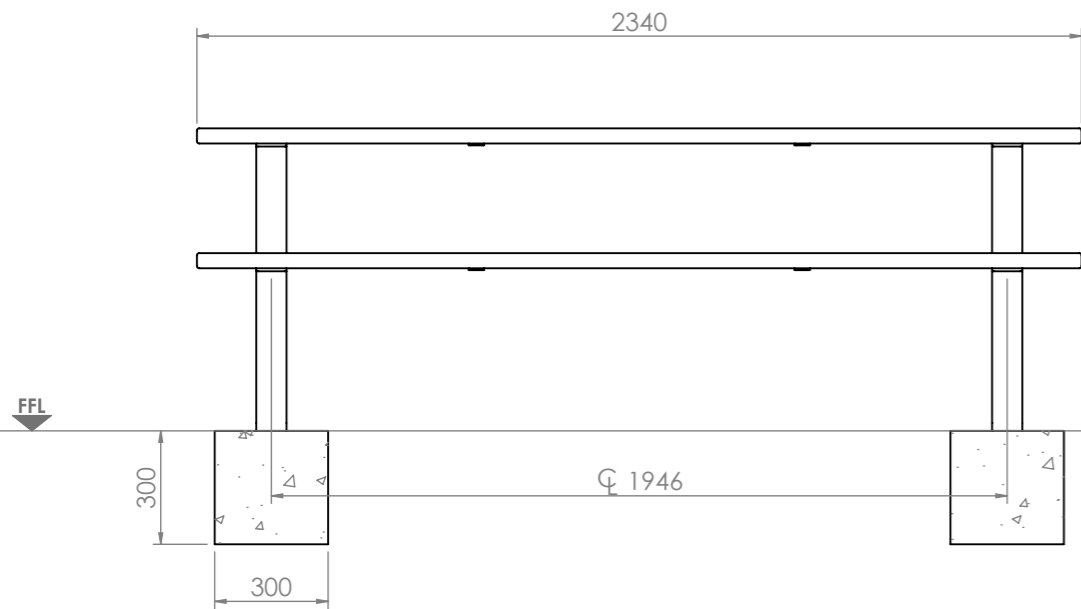
Adlington Business Park, London Road, Adlington, Cheshire, SK10 4NL
Tel: 01625 322 888 | enquiries@bsfg.co.uk

BSFG Doc. NUMBER: BSSGA3317-1_0	Doc. TYPE GA	SHEET: SHEET 1 OF 2	SCALE: 1:20 @A3	DRW: KL	DATE: 18/12/2023
BSFG Doc. TITLE: PRODUCT OVERVIEW - BRUNSWICK PICNIC SET_5349				CHK: OS	DATE: 19/12/2023
PART NUMBER: BRUNSWICK PICNIC SET_5349				APP: JF	DATE: 18/12/2023
PART CONFIGURATION: STANDARD				BSFG Doc. STATUS: APPROVED FOR ISSUE	
BSFG JOB NUMBER: 5349	3rd ANGLE PROJECTION		DO NOT SCALE FROM DRAWING DIMENSIONS IN mm UNLESS STATED OTHERWISE		BSFG Doc. REV: 0

REVISIONS					
REV.	BY	DESCRIPTION	DATE	CHKD	APVD



APPROVED FOR ISSUE



INSTALLATION:
RECOMMENDED Min. FOUNDATION AS SHOWN IN C16/20 CONCRETE. **SITE ENGINEER TO DETERMINE APPROPRIATE SIZE AND COMPOSITION OF ANY FOUNDATIONS BASED ON LOCAL GROUND CONDITIONS**

INSTALLATION Via
2off. M10x100 THROUGHBOLTS PER FOOT

APPROXIMATE TOTAL WEIGHT: 152.9 kg

TABLE AND SEATING ITEMS SUPPLIED TO SITE FULLY ASSEMBLED
ANY GROUND FIXINGS SUPPLIED BY OTHERS

**GENERAL ARRANGEMENT:
BRUNSWICK PICNIC SET_5349**



Adlington Business Park, London Road, Adlington, Cheshire, SK10 4NL
Tel: 01625 322 888 | enquiries@bsfg.co.uk

BSFG Doc. NUMBER: BSSGA3317-2_0	Doc. TYPE GA	SHEET: SHEET 2 OF 2	SCALE: 1:10 @A3	DRW: KL	DATE: 18/12/2023
BSFG Doc. TITLE: GENERAL ARRANGEMENT - BRUNSWICK PICNIC SET_5349				CHK: OS	DATE: 19/12/2023
PART NUMBER: BRUNSWICK PICNIC SET_5349				APP: JF	DATE: 18/12/2023
PART CONFIGURATION: STANDARD				BSFG Doc. STATUS: APPROVED FOR ISSUE	
BSFG JOB NUMBER: 5349	3rd ANGLE PROJECTION		DO NOT SCALE FROM DRAWING DIMENSIONS IN mm UNLESS STATED OTHERWISE		BSFG Doc.REV: 0

PRODUCTS WILL BE SUPPLIED WITH A SMALL IDENTIFICATION LABEL. IF YOU WOULD LIKE THIS REMOVED PRIOR TO DELIVERY PLEASE SPECIFY AT TIME OF ORDER